

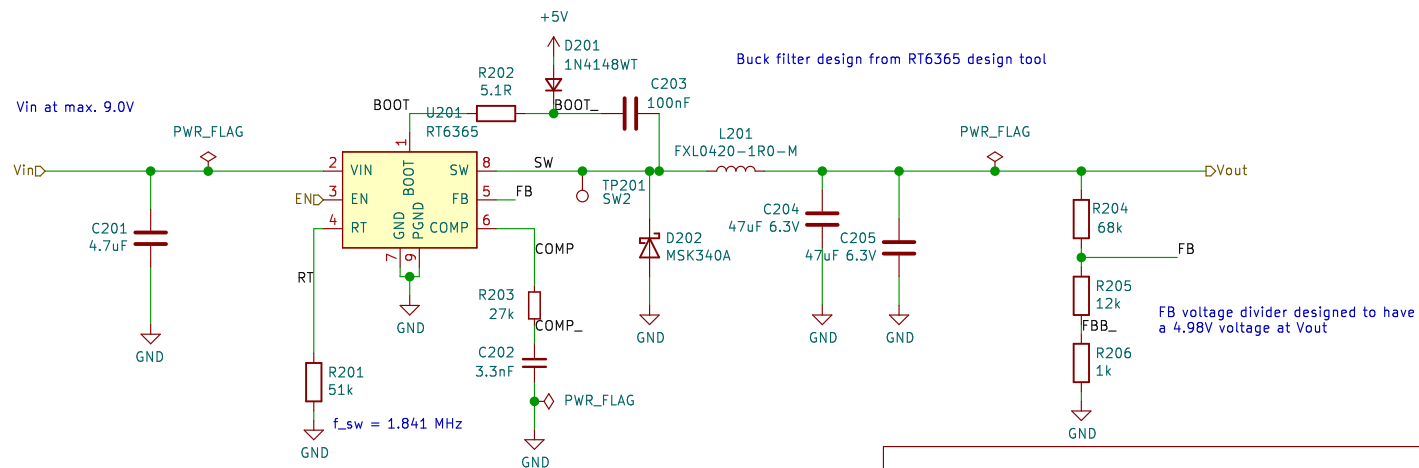
Sailor Hat for Raspberry Pi is licensed under CC BY 4.0.
 To view a copy of this license, visit
<https://creativecommons.org/licenses/by/4.0>

Hat Labs Ltd

Sheet:
 File: SH-RPi.kicad_sch

Title: Sailor Hat for Raspberry Pi

Size: A4	Date: 2023-02-12	Rev: v2.0.0
KiCad E.D.A. kicad (7.0.0-0)		Id: 1/10



Sailor Hat for Raspberry Pi is licensed under CC BY 4.0.
 To view a copy of this license, visit
<https://creativecommons.org/licenses/by/4.0>

Hat Labs Ltd

Sheet:
 File: buck_stage_2.kicad_sch

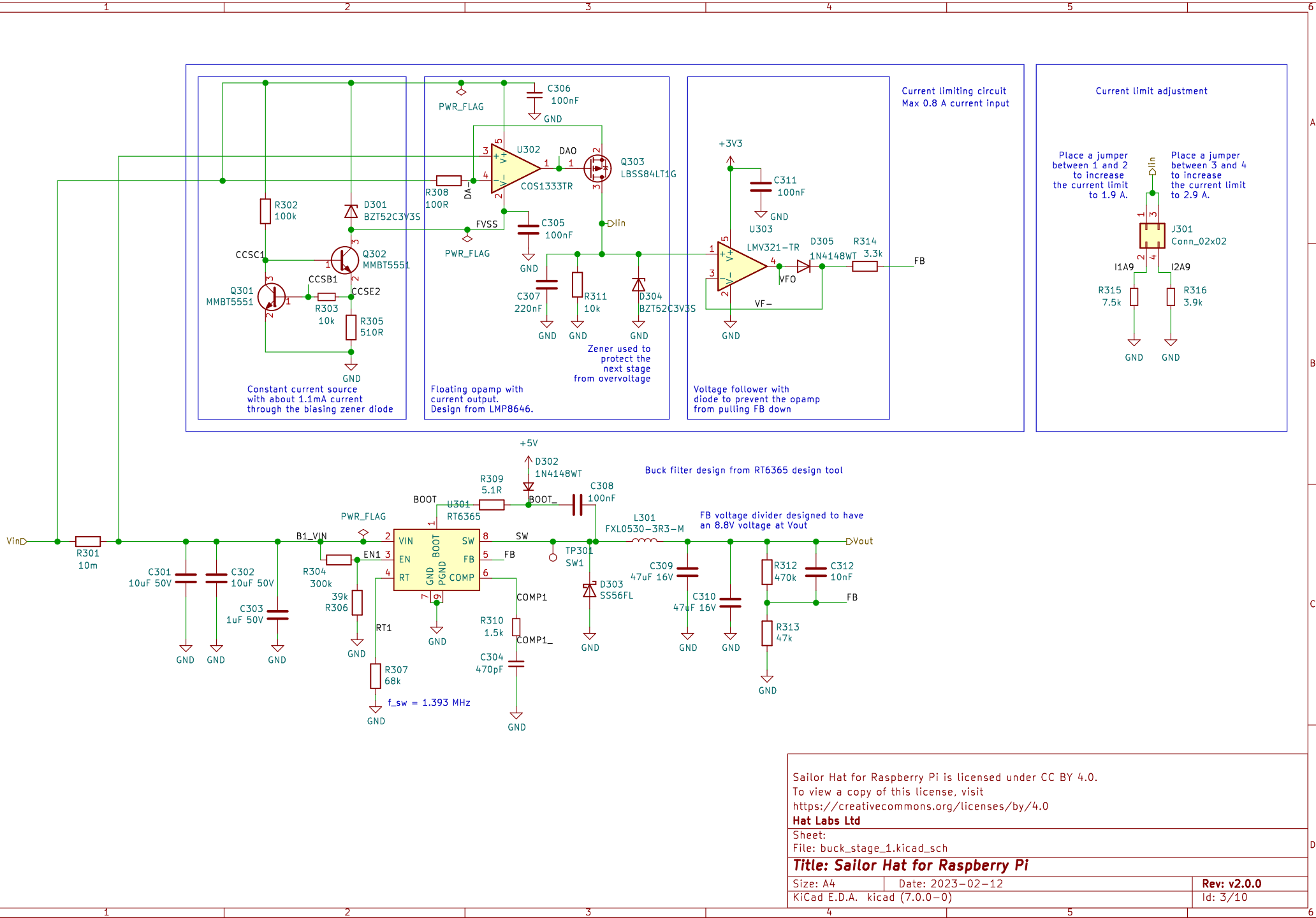
Title: Sailor Hat for Raspberry Pi

Size: A4 Date: 2023-02-12

Rev: v2.0.0

KiCad E.D.A. kicad (7.0.0-0)

Id: 2/10



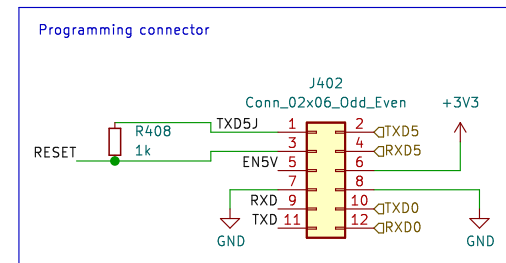
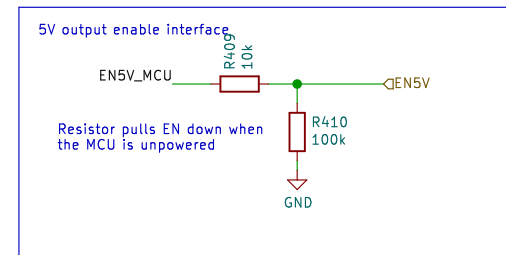
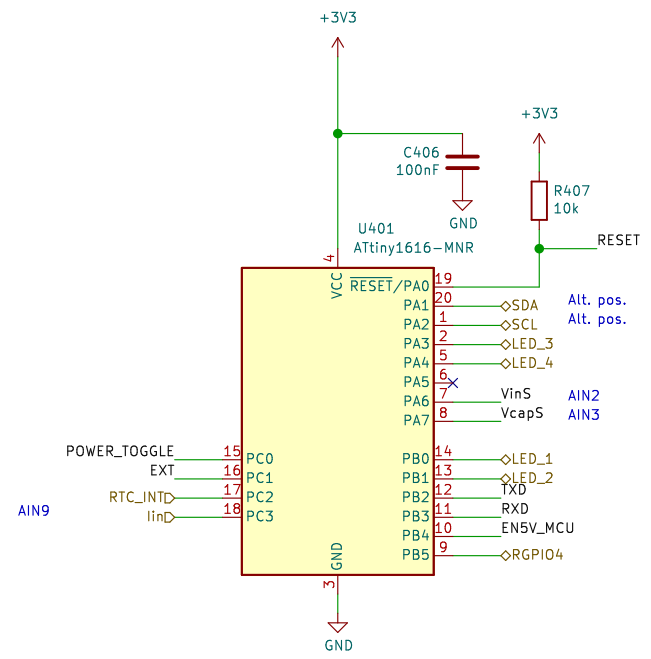
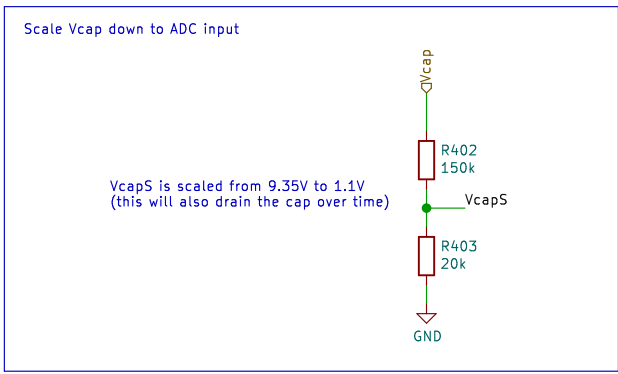
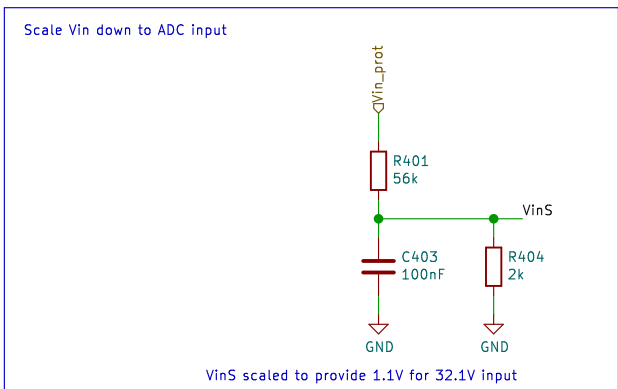
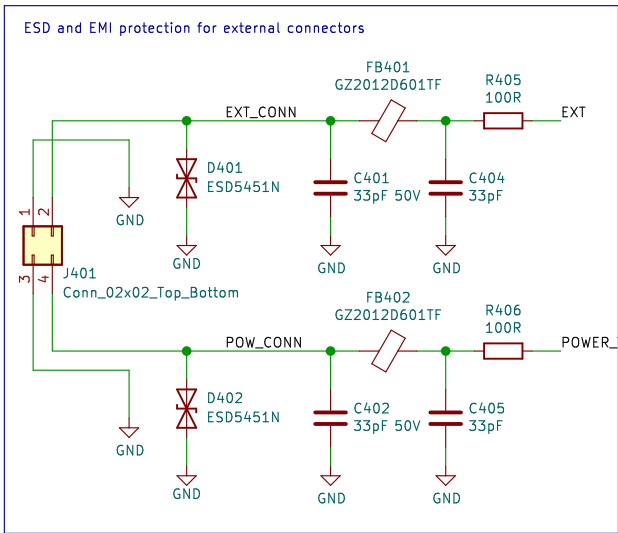
Sailor Hat for Raspberry Pi is licensed under CC BY 4.0.
 To view a copy of this license, visit
<https://creativecommons.org/licenses/by/4.0>

Hat Labs Ltd

Sheet:
 File: buck_stage_1.kicad_sch





Title: Sailor Hat for Raspberry Pi

Size: A4	Date: 2023-02-12	Rev: v2.0.0
KiCad E.D.A. kicad (7.0.0-0)		Id: 3/10



Sailor Hat for Raspberry Pi is licensed under CC BY 4.0.
 To view a copy of this license, visit <https://creativecommons.org/licenses/by/4.0>
Hat Labs Ltd
 Sheet:
 File: control_mcu.kicad_sch
Title: Sailor Hat for Raspberry Pi
 Size: A4 | Date: 2023-02-12 | Rev: v2.0.0
 KiCad E.D.A. kicad (7.0.0-0) | Id: 5/10

Raspberry Pi
mounting holes

-  H601
MountingHole
-  H602
MountingHole
-  H603
MountingHole
-  H604
MountingHole



P601
HL pictogram



P602
Hat Labs logo



P603
OSHW logo



P604
cc-by logo



P605
WEEE logo



P606
CE logo

Sailor Hat for Raspberry Pi is licensed under CC BY 4.0.
To view a copy of this license, visit
<https://creativecommons.org/licenses/by/4.0>

Hat Labs Ltd

Sheet:
File: pcb.kicad_sch

Title: Sailor Hat for Raspberry Pi

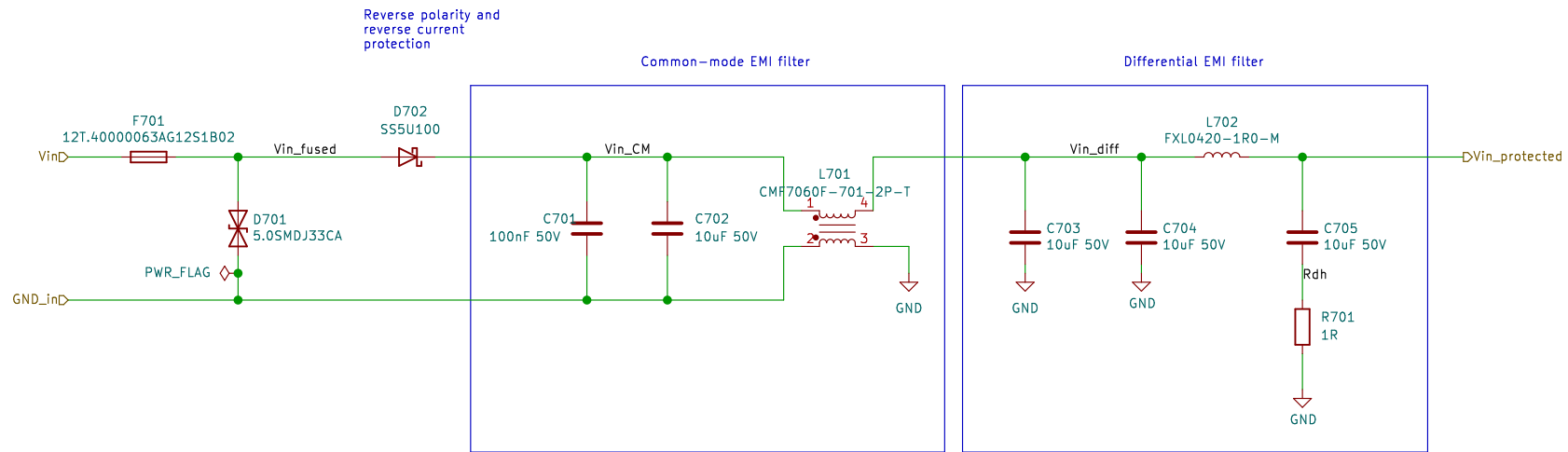
Size: A4 Date: 2023-02-12

KiCad E.D.A. kicad (7.0.0-0)

Rev: v2.0.0

Id: 7/10

EMI pre-filter design taken from PMP15013 & 62AN101E.



Sailor Hat for Raspberry Pi is licensed under CC BY 4.0.
To view a copy of this license, visit
<https://creativecommons.org/licenses/by/4.0>

Hat Labs Ltd

Sheet:
File: protection.kicad_sch

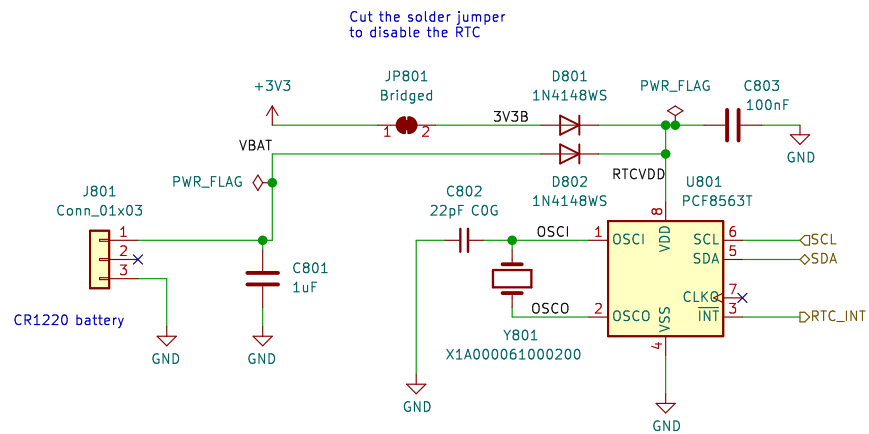
Title: Sailor Hat for Raspberry Pi

Size: A4 Date: 2023-02-12

KiCad E.D.A. kicad (7.0.0-0)

Rev: v2.0.0

Id: 8/10



Sailor Hat for Raspberry Pi is licensed under CC BY 4.0.
 To view a copy of this license, visit
<https://creativecommons.org/licenses/by/4.0>

Hat Labs Ltd

Sheet:
 File: rtc.kicad_sch

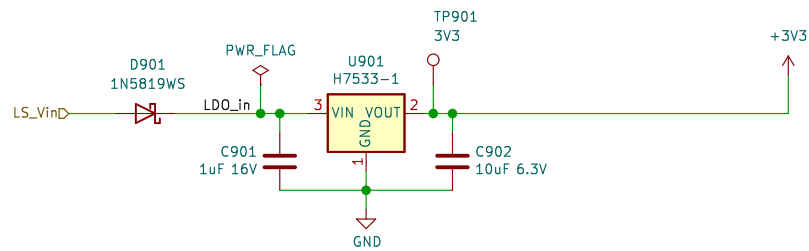
Title: Sailor Hat for Raspberry Pi

Size: A4 Date: 2023-02-12

Rev: v2.0.0

KiCad E.D.A. kicad (7.0.0-0)

Id: 9/10



Sailor Hat for Raspberry Pi is licensed under CC BY 4.0.
 To view a copy of this license, visit
<https://creativecommons.org/licenses/by/4.0>

Hat Labs Ltd

Sheet:
 File: ldo.kicad_sch

Title: Sailor Hat for Raspberry Pi

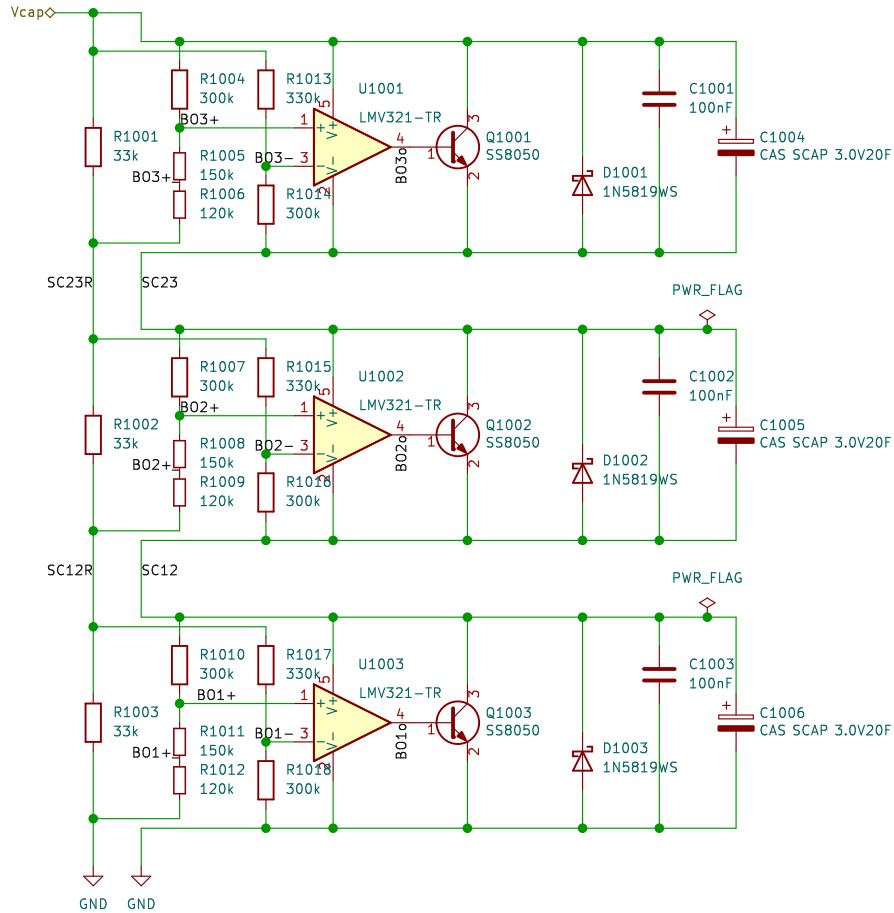
Size: A4 Date: 2023-02-12

Rev: v2.0.0

KiCad E.D.A. kicad (7.0.0-0)

Id: 9/10

Balancing circuit modeled after
<https://www.eevblog.com/forum/renewable-energy/supercapacitor-balancer/>



Sailor Hat for Raspberry Pi is licensed under CC BY 4.0.
 To view a copy of this license, visit
<https://creativecommons.org/licenses/by/4.0>

Hat Labs Ltd

Sheet:
 File: supercap.kicad_sch

Title: Sailor Hat for Raspberry Pi

Size: A4 Date: 2023-02-12

KiCad E.D.A. kicad (7.0.0-0)

Rev: v2.0.0

Id: 10/10